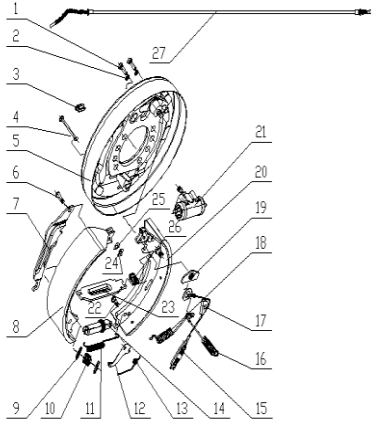
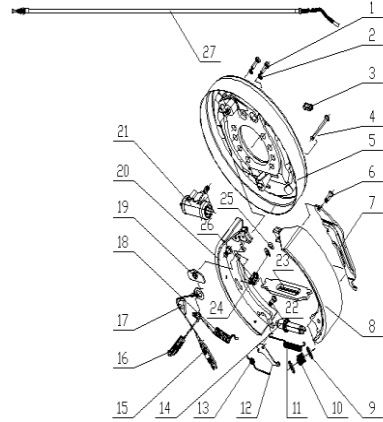


256898501003 制动器(左)/LEFT BRAKE(30-35Q)-LEFT

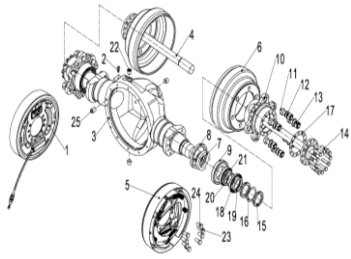
序号/NO	编码/SN	名称	Name	数量/QTY	备注/Remark
1	256898523532	螺栓M8x1.25x20GB/T5783-2000	Bolt M8 x one point two five x 20GB/T5783-2000	2	
2	910400500006	弹簧垫圈GB93-8	Spring washer GB93-8	2	
3	256898523530	胶堵24433-70040G	Rubber plug 24433-70040G	2	大修理包含
4	256898523531	压紧拉杆24433-70010G	Spring tension rod 24433-70010G	2	大/小修理包含
5	256898523533	左制动蹄底板总成24433-72000G-L	Brake base plate assembly (left) 24433-7200G	1	
6	256898523537	手拉杆销24433-70150G	Pin 24433-70150G	1	大/小修理包含
7	256898523535	左手制动拉杆24433-70140G-L	Hand brake rod (left) 24433-70140G	1	
8	256898523539	制动蹄带摩擦片总成24433-71000G	Brake shoe with friction plate assembly 24433-71000G	1	
9	256898523545	压紧座24433-70020G	Pressure spring seat 24433-70020G	4	大/小修理包含
10	256898523546	压紧簧24433-70030G	Compression spring 24433-70030G	2	大/小修理包含
11	256898523548	拉簧24433-70050G	Tension spring 24433-70050G	1	大/小修理包含
12	256898523554	左棘爪24433-70100G-L	Pawl (left) 24433-70100G	1	大修理包含
13	256898523550	左扭簧24433-70090G-L	Torsion spring (left) 24433-70090G	1	大/小修理包含
14	256898523570	左间隙调整器总成24433-74000G-L	Left gap adjuster assembly 24433-74000G-L	1	大修理包含
15	256898523543	弹簧拉线装置24433-73000G	Spring cable device 24433-73000G	1	大修理包含
16	256898523553	左回位弹簧(后)24433-70071G-L	Return spring (front) 24433-70071G	1	大/小修理包含
17	256898523549	导向块24433-70081G	Guide block 24433-70081G	1	大修理包含
18	256898523556	左回位弹簧(前)24433-70070G-L	return spring (front) 24433-70010G-L	1	大/小修理包含
19	256898523552	导向板24433-70060G	Guide plate 24433-70060G	1	大修理包含
20	256898523574	左制动蹄带摩擦片及扭簧销总成24433-	Left brake shoe with friction plate and spring pin assem	1	
21	256898523544	制动分泵总成2433-76000G	Brake wheel cylinder assembly	1	
22	256898523538	棘爪销钉24433-70110G	Pin 1 24433-70110G	1	大/小修理包含
23	256898523557	左手制动推杆24433-70120G-L	Push rod (left) 24433-70120G-L	1	大修理包含
24	256898523542	杆销挡圈24433-70170G	Rod pin retainer 24433-70170G	1	大/小修理包含
25	256898523541	弹性垫片24433-70160G	Elastic gasket 24433-70160G	1	大/小修理包含
26	256898523559	弹簧24433-70130G	Push spring 24433-70130G	1	大/小修理包含
27	256898523564	制动钢索总成(左)OC11246-14603-30	Brake cable assembly (left) OC11246-14603-30	1	L=1270
27	256898523565	制动钢索总成(右)OC11246-24603-30	Brake cable assembly (right)OC11246-24603-30	1	R=1790
A	256898523576	大修理包24433-70411G-DXLB	Major repair kit 24433-70411G-DXLB	1	大修理包
B	256898523577	小修理包24433-70411G-XXLB	Minor repair kit 24433-70411G-XXLB	1	小修理包



256898501003 制动器-右/LEFT BRAKE(30-35Q)-Right



序号/NO	编码/SN	名称	Name	数量/QTY	备注/Remark
1	256898523532	螺栓M8x1.25x20GB/T5783-2000	Bolt M8 x one point two five x 20GB/T5783-2000	2	
2	910400500006	弹簧垫圈GB93-8	Spring washer GB93-8	2	
3	256898523530	胶堵24433-70040G	Rubber plug 24433-70040G	2	大修理包含
4	256898523531	压紧拉杆24433-70010G	Spring tension rod 24433-70010G	2	大/小修理包含
5	256898523534	右制动蹄底板总成24433-72000G-R	Brake backing plate assembly (right)	1	
6	256898523537	手拉杆销24433-70150G	Pin 24433-70150G	1	大/小修理包含
7	256898523536	右手制动拉杆24433-70110G-R	Hand brake rod (right)	1	
8	256898523539	制动蹄带摩擦片总成24433-71000G	Brake shoe with friction plate assembly 24433-71000G	1	
9	256898523545	压紧座24433-70020G	Pressure spring seat 24433-70020G	4	大/小修理包含
10	256898523546	压紧24433-70030G	Compression spring 24433-70030G	2	大/小修理包含
11	256898523548	拉簧24433-70050G	Tension spring 24433-70050G	1	大/小修理包含
12	256898523555	右棘爪24433-70100G-R	Pawl (right)	1	大修理包含
13	256898523551	右扭簧24433-70090G-R	Torsion spring (right)	1	大/小修理包含
14	256898523571	右间隙调整器总成24433-74000G-R	Right gap adjuster assembly 24433-74000G	1	大修理包含
15	256898523543	弹簧拉线装置24433-73000G	Spring cable device 24433-73000G	1	大修理包含
16	256898523572	左回位弹簧(后) 24433-70071G-R	Return spring (I) 24433-70071G	1	大/小修理包含
17	256898523549	导向块24433-70081G	Guide block 24433-70081G	1	大修理包含
18	256898523573	左回位弹簧(前)24433-70070G-R	Return spring (II) 24433-70070G-L	1	大/小修理包含
19	256898523552	导向板24433-70060G	Guide plate 24433-70060G	1	大修理包含
20	256898523575	右制动蹄带摩擦片及挂簧销总成24433-	Right brake shoe with friction plate and spring pin assen	1	
21	256898523544	制动分泵总成2433-76000G	Brake wheel cylinder assembly	1	
22	256898523538	棘爪销钉24433-70110G	Pin 1 24433-70110G	1	大/小修理包含
23	256898523558	右手制动推杆24433-70120G-R	Push rod (left) 24433-70120G-R	1	大修理包含
24	256898523542	杆销挡圈24433-70170G	Rod pin retainer 24433-70170G	1	大/小修理包含
25	256898523541	弹性垫片24433-70160G	Elastic gasket 24433-70160G	1	大/小修理包含
26	256898523559	弹簧24433-70130G	Push spring 24433-70130G	1	大/小修理包含
27	256898523565	制动钢索总成(右) OC11246-24603-30	Brake cable assembly (right)OC11246-24603-30	1	R=1790
A	256898523578	大修理包24433-70412G-DXLB			大修理包
B	256898523579	小修理包24433-70412G-XXLB			小修理包



序号/NO	编码/SN	名称	Name	数量/Qty	备注/Remark
1	256798523501	左制动器G-3501100-00	Left brake	1	25-28Q
2	256898523516	透气塞H-2301301-00	Vent plug	1	25-28Q
3	256798523502	驱动桥壳G-2301101-04	Driving axle housing	1	25-28Q
4	256798523503	半轴G-2303101-04	Half shaft	2	25-28Q
5	256798523504	右制动器G-3501200-00	Right brake	1	25-28Q
6	256798523505	制动鼓G-3103103-00	Drum brake	2	25-28Q
7	256898523504	大油封座圈H-3103102-00	Large oil seal ring	2	25-28Q
8	256898523505	油封100X130X12	Seal ring100x130x12	2	25-28Q
9	256898523506	圆锥滚子轴承30214	Bearing30214	2	25-28Q
10	256798523506	轮毂G-3103101-04	Hub	2	25-28Q
11	910300200005	六角螺母M20X1.5	Nut M20X1.5	12	25-28Q
12	256798523507	轮毂螺栓G-3103106-00	Hub bolt	12	25-28Q
13	256798523508	轮毂螺母G-3103110-04	Hub nut	12	25-28Q
14	256898523510	半轴螺栓H-2303107-00	Half shaft bolt	24	25-28Q
15	910300700005	圆螺母M60X2	Round nut M60X2	4	25-28Q
16	910400900013	止动垫圈60	Lock washer60	2	25-28Q
17	256798523509	半轴垫G-2303106-00	Half shaft pad	2	25-28Q
18	254198523555	油封75X100X10	Seal ring 75x100x2	2	25-28Q
19	256898523507	小油封座圈H-3103109-00	Small oil seal ring	2	25-28Q
20	254198523557	O型圈65X3.1	O-ring 65X3.1	2	25-28Q
21	910700600020	圆锥滚子轴承32012	Bearing32012	2	25-28Q
22	256898523515	堵塞ZG1/2 H-1701104-00	Pug ZG1/2	3	25-28Q
23	256898523518	制动器定位螺栓H-3501301-00	Brake positioning bolt	4	25-28Q
24	256898523519	制动器紧固螺栓H-3501302-00	Brake bolt	12	25-28Q
25	256898523517	圆柱销	Pin	1	25-28Q
26	256798523509	主减密封垫H-23022101	Main reduction gasket	1	25-28Q

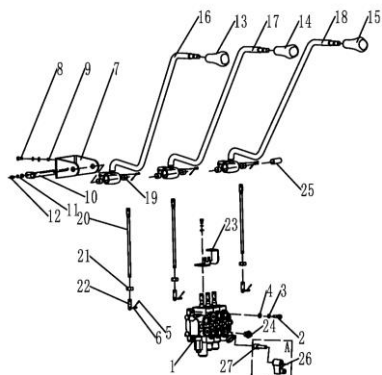
256898501005 制动器 (左) /LEFT BRAKE(25-28Q)-左						
序号/NO	编码/SN	名称	Name	数量/QTY	备注/Remark	
1	256798523530	制动器底板总成23653-73011-L	Brake base plate assembly 23653-73011-L	1		
2	256798523538	制摩擦片总成23653-73021	Friction plate assembly 23653-73021	2		
3	256798523560	胶堵22673-72321	Glue plug 22673-72321	2	大修理包	
4	256798523561	左调整杆23653-72321-L	Left adjusting lever 23653-72321-L	1	大修理包	
5	256798523537	拉簧23653-72051	Spring 23653-72051	1	大/小修理包	
6	256798523536	左向隙调整器23653-72041-L	Clearance adjuster 23653-72041-L	1	大修理包	
7	256798523532	压簧拉杆23653-72101	Spring tension rod 23653-72101	4	大/小修理包	
8	256798523546	压簧座23653-72121	Pressure spring seat 23653-72121	1	大/小修理包	
9	256798523547	压簧23653-72091	Spring 23653-72091	4	大/小修理包	
10	256798523548	压簧盖23653-72111	Spring compression cover 23653-72111	4	大/小修理包	
11	256798523550	顶杆拉簧2353-72171	Tension spring 2353-72171	1	大/小修理包	
12	256798523545	顶杆23653-72161	Push rod 23653-72161	1	大/小修理包	
13	256798523553	压簧座23673-72391	Compression spring 23673-72391	3	大/小修理包	
14	256798523549	回位弹簧23673-72261	Return spring 23673-72261	2	大/小修理包	
15	256798523542	手拉杆销22673-72231	Support pin 22673-72231	1	大/小修理包	
16	256798523564	杆销挡圈22673-72251	Rod pin stop ring 22673-72251	1	大/小修理包	
17	256798523540	左手制动杆23653-72071-L	Left hand brake rod 23653-72071-L	1	大修理包	
18	256798523544	导向板23653-72131	Gasket 23653-72131	1	大修理包	
19	256798523533	左制动分泵总成22373-72041-L	Brake wheel cylinder assembly 22373-72041-L	1		
20	256798523551	手制动推杆23653-72081	Hand brake push rod 23653-72081	1	大修理包	
21	256798523566	压缩弹簧23673-72391	compression spring 23673-72391	1	大/小修理包	
22	910100300020	螺栓GB5782-M8x16	Bolt GB5782-M8x16	2		
23	910400500006	弹簧垫圈GB93-8	Spring washer GB93-8	2		
24	256798523534	制动器钢索总成OC11246-14603	Brake cable assembly OC11246-14603	1		
A	256798523567	大修理包REF000560-L-DXLB	Major repair kit REF000560-L-DXLB	1		
B	256798523568	小修理包REF000560-L-XXLB	Minor repair kit REF000560-L-XXLB	1		

6

256898501005 制动器 (右) /LEFT BRAKE(25-28Q)-Right						
序号/NO	编码/SN	名称	Name	数量/QTY	备注/Remark	
1	256798523531	右制动器底板总成23653-73011-R	Brake base plate assembly 23653-73011-R	1		
2	256798523538	制动蹄带摩擦片总成23653-73021	Friction plate assembly 23653-73021	2		
3	256798523560	胶堵22673-72321	Glue plug 22673-72321	2	大修理包	
4	256798523541	右手制动杆23653-72071-R	Right hand brake rod 23653-72071-R	1	大修理包	
5	256798523532	压簧拉杆23653-72101	Spring tension rod 23653-72101	4	大/小修理包	
6	256798523546	压簧座23653-72121	Pressure spring seat 23653-72121	4	大/小修理包	
7	256798523547	压簧23653-72091	Spring 23653-72091	4	大/小修理包	
8	256798523548	压簧盖23653-72111	Spring compression cover 23653-72111	4	大/小修理包	
9	256798523537	拉簧23653-72051	Spring 23653-72051	1	大/小修理包	
10	256798523563	右向隙调整器23653-72041-R	Clearance adjuster 23653-72041-R	1	大修理包	
11	256798523562	右调整杆23653-72321-R	Right adjusting lever 23653-72321-R	1	大修理包	
12	256798523564	杆销挡圈22673-72251	Rod pin stop ring 22673-72251	1	大/小修理包	
13	256798523542	拉杆销22673-72231	Support pin 22673-72231	1	大/小修理包	
14	256798523550	顶杆拉簧2353-72171	Tension spring 2353-72171	1	大/小修理包	
15	256798523545	顶杆23653-72161	Push rod 23653-72161	1	大/小修理包	
16	256798523553	压簧座23673-72391	Compression spring 23673-72391	1	大/小修理包	
17	256798523549	回位弹簧23673-72261	Return spring 23673-72261	2	大/小修理包	
18	256798523566	压缩弹簧23673-72391	compression spring 23673-72391	1	大/小修理包	
19	256798523551	手制动推杆23653-72081	Hand brake push rod 23653-72081	1	大修理包	
20	256798523544	导向板23653-72131	Gasket 23653-72131	1	大修理包	
21	256798523565	右制动分泵总成22373-72041-R	Brake wheel cylinder assembly 22373-72041-R	1		
22	910100300020	螺栓GB5782-M8x16	Bolt GB5782-M8x16	2		
23	910400500006	弹簧垫圈GB93-8	Spring washer GB93-8	2		
24	256798523535	制动器钢索总成右OC11246-24603	Brake cable assembly right OC11246-24603	1		
A	256798523569	大修理包REF000560-R-DXLB	Major repair kit REF000560-R-DXLB	1		
B	256798523570	小修理包REF000560-R-XXLB	Minor repair kit REF000560-R-XXLB	1		

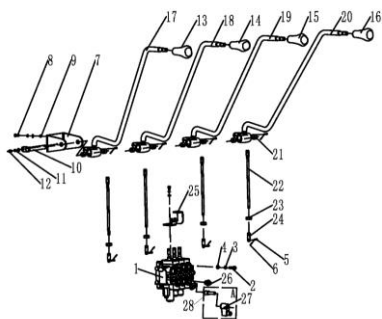
6

256898501028 多路换向阀操纵(三联) MULTI-WAY REVERSING VALVE CONTROL (THREE)



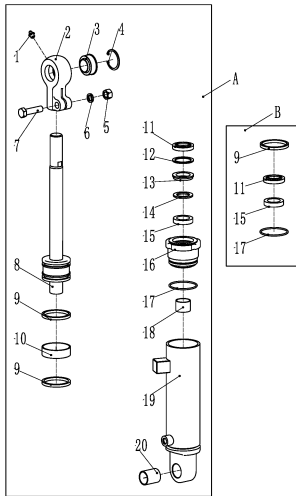
序号/NO	编码/SN	名称	Name	数量/QTY	备注/Remark
1	252025010011	多路阀(三联)	Multiple valve(three)	1	
1	256825011002	多路阀(三联)电磁阀ZSX)	Multi way valve (three) solenoid valve	1	CE选配
2	910100400006	螺栓GB5786-M10x1.25x40-8.8	Bolt GB5786-M10x1.25x40-8.8	4	
3	910400500007	弹簧垫圈GB93-10	Spring washer GB93-10	8	
4	910400100007	平垫圈GB97.1-10-200HV	Washer GB97.1-10-200HV	12	
5	941100800001	销轴B4.75x20-c1B	Pin B4.75x20-c1B	6	
6	910600600011	开口销GB91-2x12	Cotter pin GB91-2x12	6	
7	252124520002	支架(阀杆)	Support (stem)	1	
8	910100300037	螺栓GB5783-M10x30-8.8	Bolt GB5783 M10x30-8.8	4	
9	910300100007	螺母GB6170-M10-10	Nut GB6170-M10-10	4	
10	255024510009	带耳轴Φ16x168	With trunnion Φ16x168	1	
11	910400500005	弹簧垫圈GB93-6	Spring washer GB93-6	1	
12	910200200032	螺钉GB70.1-M6x10-8.8	Screw GB70.1 M6x10-8.8	1	
13	253524520010	手柄球(起升)	Handle ball(lift)	1	
14	253524520009	手柄球(倾斜)	Handle ball(tilt)	1	
15	253525020002	手柄球(属具1)	Handle ball(belonging to 1)	1	
16	256824510002	操纵杆焊合(起升)	Joystick welding(lifting)	1	
17	256824510003	操纵杆焊合(倾斜)	Joystick welding(tilt)	1	
18	256825010004	操纵杆焊合(属具1)	Joystick welding(tool1)	1	
19	940500100006	复合套Φ16xΦ18x15-SF-1	Composite setΦ16xΦ18x15-SF-1	6	
20	256824520003	连接杆	Connecting rod	3	
21	910300100006	螺母GB6170-M8-10	Nut GB6170 M8-10	3	
22	255025020003	接头	joint	3	
23	255024520027	支架(行程开关)	Bracket (travel switch)	3	
24	255023520033	接头(直)8-M20x1.5-M16x1.5-60°	Joint (straight) 8-M20x1.5-M16x1.5-60°	2	
25	255024520028	轴套Φ29xΦ16x38	Shaft sleeve Φ16xΦ29x38	1	
A	255098511010	电磁阀	Solenoid valve	1	
26	255098512001	电磁阀线圈(24V)	Solenoid coil (24V)	1	
27	255098512002	电磁阀阀芯	Solenoid valve spool	1	

256898501029 多路换向阀操纵(四联) MULTI-WAY REVERSING VALVE CONTROL (FOUR)



序号/NO	编码/SN	名称	Name	数量/QTY	备注/Remark
1	252025510011	多路阀(四联)	Multway valve (four)	1	
1	256825511002	多路阀(四联)电磁阀ZSX)	Multi way valve (four) solenoid valve	1	CE选配
2	910100400006	螺栓GB5786-M10x1.25x40-8.8	Bolt GB5786-M10x1.25x40-8.8	4	
3	910400500007	弹簧垫圈GB93-10	Spring washer GB93-10	8	
4	910400100007	平垫圈GB97.1-10-200HV	Washer GB97.1-10-200HV	12	
5	941100800001	销轴B4.75x20-c1B	Pin B4.75x20-c1B	8	
6	910600600011	开口销GB91-2x12	Cotter pin GB91-2x12	8	
7	252124520002	支架(阀杆)	Support (stem)	1	
8	910100300037	螺栓GB5783-M10x30-8.8	Bolt GB5783 M10x30-8.8	4	
9	910300100007	螺母GB6170-M10-10	Nut GB6170-M10-10	4	
10	255024510009	带耳轴Φ16x168	With trunnion Φ16x168	1	
11	910400500005	弹簧垫圈GB93-6	Spring washer GB93-6	1	
12	910200200032	螺钉GB70.1-M6x10-8.8	Screw GB70.1 M6x10-8.8	1	
13	253524520010	手柄球(起升)	Handle ball (lift)	1	
14	253524520009	手柄球(倾斜)	Handle ball (tilt)	1	
15	253525020002	手柄球(属具1)	Handle ball (belonging to 1)	1	
16	253525520002	手柄球(属具2)	Handball (belonging to 2)	1	
17	256824510002	操纵杆焊合(起升)	Joystick welding (lifting)	1	
18	256824510003	操纵杆焊合(倾斜)	Joystick welding (tilt)	1	
19	256825010004	操纵杆焊合(属具1)	Joystick welding (tool 1)	1	
20	256825510005	操纵杆焊合(属具2)	Joystick welding (kit 2)	1	
21	940500100006	复合套Φ16xΦ18x15-SF-1	Composite set Φ16xΦ18x15-SF-1	8	
22	256824520003	连接杆	Connecting rod	4	
23	910300100006	螺母GB6170-M8-10	Nut GB6170 M8-10	4	
24	255025020003	接头	joint	4	
25	255024520027	支架(行程开关)	Bracket (travel switch)	4	
26	255023520033	接头(直)8-M20x1.5-M16x1.5-60°	Joint (straight)8-M20x1.5-M16x1.5-60°	4	
A	255098511010	电磁阀	Solenoid valve	1	
27	255098512001	电磁阀线圈(24V)	Solenoid coil (24V)	1	
28	255098512002	电磁阀阀芯	Solenoid valve spool	1	

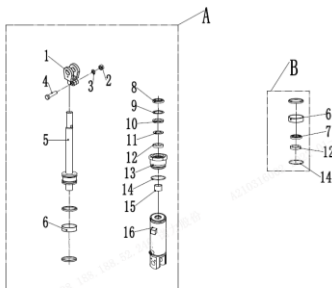
256898501035 倾斜油缸/TILT CYLINDER (30-35Q)



序号/NO	编码/SN	名称	Name	数量/QTY	备注/Remark
A	256820510001	油缸(TL)Φ80xΦ35x118(6/10)	Oil cylinder(TL)Φ80xΦ35x118(6/10)	1	H<4000,Left
A	256820510002	油缸(TL)Φ80xΦ35x88.5(6/6)	Oil cylinder(TL)Φ80xΦ35x88.5(6/6)	1	4000≤H≤5000,Left
A	256820510003	油缸(TL)Φ80xΦ35x67(6/10)	Oil cylinder(TL)Φ80xΦ35x67(3/6)	1	5000<H,Left
A	256820510005	油缸(TR)Φ80xΦ35x118(6/10)	Oil cylinder(TR)Φ80xΦ35x118(6/10)	1	H<4000,Left
A	256820510006	油缸(TR)Φ80xΦ35x88.5(6/6)	Oil cylinder(TR)Φ80xΦ35x88.5(6/6)	1	4000≤H≤5000,Left
A	256820510007	油缸(TR)Φ80xΦ35x67(6/10)	Oil cylinder(TR)Φ80xΦ35x67(3/6)	1	5000<H,Left
B	256198510006	密封件修理包(倾斜缸)	Seal kits (tilted cylinder)	2	
1	▲	直通式滑脂嘴Z1/8	Grease mouth Z1/8	2	不单独提供
2	▲	耳环	Earring	2	不单独提供
3	▲	关节轴承GE30ES	Bearing GE30ES	2	不单独提供
4	▲	挡圈47	Circlip 47	2	不单独提供
5	▲	螺母M14	Nut M14	2	不单独提供
6	▲	垫圈14	Washer14	2	不单独提供
7	▲	螺栓M14x55	Bolt M14x55	2	不单独提供
8	▲	活塞体总成	Piston body assembly	2	不单独提供
9	▲	Yx型密封圈	Yx seal ring	2	不单独提供
10	▲	支承环D63x20x2.5	Support ring	2	不单独提供
11	▲	防尘圈	Dust ring	2	不单独提供
12	▲	挡圈52	Circlip 52	2	不单独提供
13	▲	挡圈	Circlip	2	不单独提供
14	▲	挡片48x30x3	Catch 48x30x3	2	不单独提供
15	▲	U型密封圈	Useal ring 48x30x10	2	不单独提供
16	▲	导向套	Guide sleeve	2	不单独提供
17	▲	O型密封圈	O seal ring 63x3.1	2	不单独提供
18	▲	钢背轴承3025	Bearing 3025	2	不单独提供
19	▲	缸筒总成	Cylinder barrel assembly	2	不单独提供
20	▲	钢背轴承3040	Bearing 3040	2	不单独提供

40

256898501036 倾斜油缸/TILT CYLINDER (25-28Q)



序号/NO	编码/SN	名称	Name	数量/QTY	备注/Remark
A	256720510001	油缸(TL)Φ70xΦ32x118(6/10)	Oil cylinder(TL)Φ70xΦ32x118(6/10)	1	H<4000,Left
A	256720510002	油缸(TL)Φ70xΦ32x88.5(6/6)	Oil cylinder(TL)Φ70xΦ32x88.5(6/6)	1	4000≤H≤5000,Left
A	256720510003	油缸(TL)Φ70xΦ32x67(3/6)	Oil cylinder(TL)Φ70xΦ32x67(3/6)	1	5000<H,Left
A	256720510005	油缸(TR)Φ70xΦ32x118(6/10)	Oil cylinder(TR)Φ70xΦ32x118(6/10)	1	H<4000,Left
A	256720510006	油缸(TR)Φ70xΦ32x88.5(6/6)	Oil cylinder(TR)Φ70xΦ32x88.5(6/6)	1	4000≤H≤5000,Left
A	256720510007	油缸(TR)Φ70xΦ32x67(3/6)	Oil cylinder(TR)Φ70xΦ32x67(3/6)	1	5000<H,Left
B	255098510006	密封件修理包(倾斜缸)	Seal kits (tilted cylinder)	2	
1	▲	耳环	Earring	2	不单独提供
2	▲	螺母M14	NutM14	2	不单独提供
3	▲	垫圈14	Washer14	2	不单独提供
4	▲	螺栓M14x55	BoltM14x55	2	不单独提供
5	▲	活塞杆	Piston rod	1	不单独提供
6	▲	支承环D60x20x2.5	Support ring D60x20x2.5	2	不单独提供
7	▲	Yx型密封圈D63x60x6	Yx seal ring D63x60x6	2	不单独提供
8	▲	防尘圈	Dust ring	2	不单独提供
9	▲	挡圈47	Circlip 47	2	不单独提供
10	▲	挡圈	Circlip	2	不单独提供
11	▲	挡片48x30x3	Catch 48x30x3	2	不单独提供
12	▲	U型密封圈	Useal ring 48x30x10	2	不单独提供
13	▲	导向套	Guide sleeve	2	不单独提供
14	▲	O型密封圈63x3.1	O seal ring 63x3.1	2	不单独提供
15	▲	钢背轴承3025	Bearing 3025	2	不单独提供
16	▲	缸筒总成	Cylinder barrel assembly	2	不单独提供

41

256898501037 门架(标准门架25-28Q)/MAST(stand mast25-28Q)						
序号/NO	编码/SN	名称	Name	数量/QTY	备注/Remark	
1	255038020008	调整套	Adjusting sleeve	4		
2	255038020009	调整垫	Adjustable pad	8		
3	940200200005	侧滚轮Φ42-CD=68	Side rollerΦ42 - CD = 68	2		
4	910400100007	平垫圈GB97.1-10-200HV	Washer GB97.1-10-200HV	8		
5	910400500007	弹簧垫圈GB93-10	Spring washer GB93-10	8		
6	910100300039	螺栓GB5783-M10x40-8.8	Bolt GB5783 M10x40-8.8	4		
7	910401300020	轴用弹性挡圈GB894.1-40	Elastic retaining ring GB894.1-40 for shaft	4		
8	940200100020	主滚轮Φ119.2xΦ55x34	Roller Φ119.2xΦ55x34	2	选配	
8	940200100021	主滚轮Φ119.6xΦ55x34	Roller Φ119.6xΦ55x34	2	选配	
8	940200100022	主滚轮Φ120xΦ55x34	Roller Φ120xΦ55x34	2	选配	
9	256744012001	内门架焊合(2000)	Mast (2000)	1	2.5t	
9	256744012002	内门架焊合(2500)	Mast (2500)	1	2.5t	
9	256744012003	内门架焊合(3000)	Mast (3000)	1	2.5t	
9	256744012004	内门架焊合(3300)	Mast (3300)	1	2.5t	
9	256744012005	内门架焊合(3500)	Mast (3500)	1	2.5t	
9	256744012006	内门架焊合(3600)	Mast (3600)	1	2.5t	
9	256744012007	内门架焊合(3700)	Mast (3700)	1	2.5t	
9	256744012008	内门架焊合(4000)	Mast (4000)	1	2.5t	
9	256744012009	内门架焊合(4300)	Mast (4300)	1	2.5t	
9	256744012010	内门架焊合(4500)	Mast (4500)	1	2.5t	
9	256744012011	内门架焊合(5000)	Mast (5000)	1	2.5t	
9	256744012012	内门架焊合(5500)	Mast (5500)	1	2.5t	
9	256744012013	内门架焊合(6000)	Mast (6000)	1	2.5t	
9	256844012001	内门架焊合(2000)	Mast (2000)	1	2.8t	
9	256844012002	内门架焊合(2500)	Mast (2500)	1	2.8t	
9	256844012003	内门架焊合(3000)	Mast (3000)	1	2.8t	
9	256844012004	内门架焊合(3300)	Mast (3300)	1	2.8t	
9	256844012005	内门架焊合(3500)	Mast (3500)	1	2.8t	
9	256844012006	内门架焊合(3600)	Mast (3600)	1	2.8t	
9	256844012007	内门架焊合(3700)	Mast (3700)	1	2.8t	
9	256844012008	内门架焊合(4000)	Mast (4000)	1	2.8t	

256898501037 门架(标准门架25-28Q)/MAST(stand mast25-28Q)						
序号/NO	编码/SN	名称	Name	数量/QTY	备注/Remark	
9	256844012009	内门架焊合(4300)	Mast (4300)	1	2.8t	
9	256844012010	内门架焊合(4500)	Mast (4500)	1	2.8t	
9	256844012011	内门架焊合(5000)	Mast (5000)	1	2.8t	
9	256844012012	内门架焊合(5500)	Mast (5500)	1	2.8t	
9	256844012013	内门架焊合(6000)	Mast (6000)	1	2.8t	
10	255038020009	调整垫	Adjustable pad	4		
11	940200200002	侧滚轮Φ87-CD=55	Side roller Φ87-CD=55	2		
12	910400100008	平垫圈GB97.1-12-200HV	Washer GB97.1-12-200HV	4		
13	910400500008	弹簧垫圈GB93-12	Washer GB93-12	6		
14	910100300050	螺栓GB5783-M12x30-8.8	Bolt GB5783-M12x30-8.8	4		
15	256844510001	带耳轴Φ30x94	AxleΦ30x94	2		
16	272344021080	耐磨套Φ30xΦ38x25	the wear-proof casing	2		
17	256744011001	外门架焊合(2000)	Mast (2000)	1		
17	256744011002	外门架焊合(2500)	Mast (2500)	1		
17	256744011003	外门架焊合(3000)	Mast (3000)	1		
17	256744011004	外门架焊合(3300)	Mast (3300)	1		
17	256744011005	外门架焊合(3500)	Mast (3500)	1		
17	256744011006	外门架焊合(3600)	Mast (3600)	1		
17	256744011007	外门架焊合(3700)	Mast (3700)	1		
17	256744011008	外门架焊合(4000)	Mast (4000)	1		
17	256744011009	外门架焊合(4300)	Mast (4300)	1		
17	256744011010	外门架焊合(4500)	Mast (4500)	1		
17	256744011011	外门架焊合(5000)	Mast (5000)	1		
17	256744011012	外门架焊合(5500)	Mast (5500)	1		
17	256744011013	外门架焊合(6000)	Mast (6000)	1		
18	254144020063	轴瓦	Bearing bush	2		
19	255044020005	支座盖	Bearing cover	2		
20	910400500010	弹簧垫圈GB93-16	Washer GB93-16	6		
21	910100200016	螺栓GB5785-M16x1.5x70-8.8	Bolt GB5785-M16x1.5x70-8.8	4		
22	910100300035	螺栓GB5783-M10x20-8.8	Bolt GB5783-M10x20-8.8	4		
23	910400100007	平垫圈GB97.1-10-200HV	Washer GB97.1-10-200HV	8		

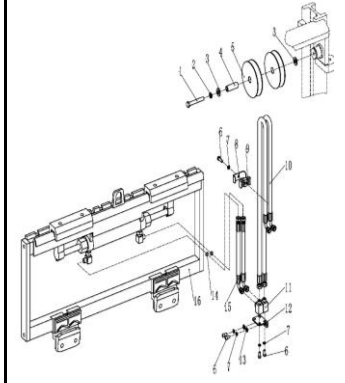
256898501040 起升油缸 (标准门架) /LIFTING PIPE (stand mast)					
序号/NO	编码/SN	名称	Name	数量/QTY	备注/Remark
24	▲	调整套40.5x49xL2	Adjusting bushing 40.5x49xL2	1	不单独提供
25	▲	钢丝挡圈	Circlip	1	不单独提供
26	▲	支承50x20x2.5	Bearing 50x20x2.5	1	不单独提供
27	▲	挡片50x40x3	Catch 50x40x3	1	不单独提供
28	▲	孔用密封圈	Seal ring 50x40x6	1	不单独提供
29	▲	活塞	Piston rod	1	不单独提供
30	▲	铜套	Copper bushing	1	不单独提供
31	▲	钢丝挡圈	Circlip	1	不单独提供
32	▲	缓冲环	Buffering ring	1	不单独提供
33	▲	防尘圈	Dust ringDKB40x52x7/10	1	不单独提供
34	▲	轴用密封圈	Seal ring 40x50x6	1	不单独提供
35	▲	导向套	Guide sleeve	1	不单独提供
36	▲	O型密封圈	O ring 49.7x2.4	1	不单独提供
37	▲	钢背轴承4030	Bearing 4030	1	不单独提供
38	▲	缸体	Cylinder	1	不单独提供
39	▲	圆柱销	Dowel pin	1	不单独提供
A	255044010043	油缸 (H=2000)	Cylinder Φ56xΦ45x995(H=2000)	2	2.5-3.0t
	255044010044	油缸 (H=2500)	Cylinder Φ56xΦ45x1245(H=2500)	2	
	255044010055	油缸 (H=3000)	Cylinder Φ56xΦ45x1495(H=3000)	2	
	255044010045	油缸 (H=3300)	Cylinder Φ56xΦ45x1645(H=3300)	2	
	255044010046	油缸 (H=3500)	Cylinder Φ56xΦ45x1745(H=3500)	2	
	255044010047	油缸 (H=3600)	Cylinder Φ56xΦ45x1795(H=3600)	2	
	255044010048	油缸 (H=3700)	Cylinder Φ56xΦ45x1845(H=3700)	2	
	255044010049	油缸 (H=4000)	Cylinder Φ56xΦ45x2045(H=4000)	2	
	255044010050	油缸 (H=4300)	Cylinder Φ56xΦ45x2195(H=4300)	2	
	255044010051	油缸 (H=4500)	Cylinder Φ56xΦ45x2295(H=4500)	2	
	255044010052	油缸 (H=5000)	Cylinder Φ56xΦ45x2595(H=5000)	2	
	255044010053	油缸 (H=5500)	Cylinder Φ56xΦ45x2845(H=5500)	2	
	255044010054	油缸 (H=6000)	Cylinder Φ56xΦ45x3095(H=6000)	2	
	A	256044016001	油缸 (H=2000)	Cylinder Φ56xΦ45x995(H=2000)	
A	256044016002	油缸 (H=2500)	Cylinder Φ56xΦ45x1245(H=2500)	2	

50

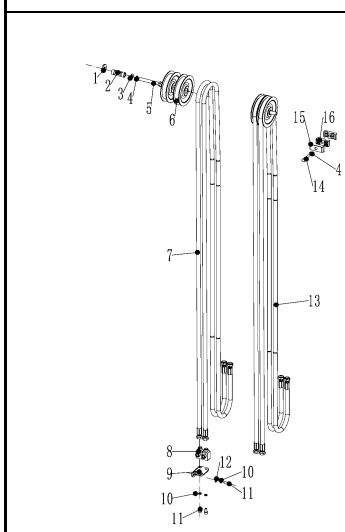
256898501040 起升油缸 (标准门架) /LIFTING PIPE (stand mast)							
序号/NO	编码/SN	名称	Name	数量/QTY	备注/Remark		
A	256044016003	油缸 (H=3000)	Cylinder Φ56xΦ45x1495(H=3000)	2	3.5t		
	256044016004	油缸 (H=3300)	Cylinder Φ56xΦ45x1645(H=3300)	2			
	256044016005	油缸 (H=3500)	Cylinder Φ56xΦ45x1745(H=3500)	2			
	256044016006	油缸 (H=3600)	Cylinder Φ56xΦ45x1825(H=3600)	2			
	256044016007	油缸 (H=3700)	Cylinder Φ56xΦ45x1845(H=3700)	2			
	256044016008	油缸 (H=4000)	Cylinder Φ56xΦ45x1995(H=4000)	2			
	256044016009	油缸 (H=4300)	Cylinder Φ56xΦ45x2120(H=4300)	2			
	256044016010	油缸 (H=4500)	Cylinder Φ56xΦ45x2245(H=4500)	2			
	256044016011	油缸 (H=5000)	Cylinder Φ56xΦ45x2495(H=5000)	2			
	256044016012	油缸 (H=5500)	Cylinder Φ56xΦ45x2745(H=5500)	2			
	256044016013	油缸 (H=6000)	Cylinder Φ56xΦ45x2995(H=6000)	2			
	B	256098510001	密封件修理包(标准门架起升缸)	Seal kits(standard mast lifting cylinder)		2	包含/Inc:29, 34, 35, 37
	B	256098510001	密封件修理包(标准门架起升缸)	Seal kits(standard mast lifting cylinder)		2	包含/Inc:29, 34, 35, 37
C	255043510139	起升链条LH1623-79/H=3000	Lifting chain LH1623-77	2	2.5t-3.0t		
	255044510133	起升链条LH1623-59/H=2000	Lifting chain LH1623-57	2			
	255043510085	起升链条LH1623-69/H=2500	Lifting chain LH1623-67	2			
	255044510140	起升链条LH1623-85/H=3300	Lifting chain LH1623-83	2			
	255043510088	起升链条LH1623-89/H=3500	Lifting chain LH1623-87	2			
	255044010107	起升链条LH1623-91/H=3600	Lifting chain LH1623-89	2			
	253543510066	起升链条LH1623-93/H=3700	Lifting chain LH1623-91	2			
	255043510107	起升链条LH1623-101/H=4000	Lifting chain LH1623-99	2			
	253544510027	起升链条LH1623-107/H=4300	Lifting chain LH1623-105	2			
	255043510090	起升链条LH1623-111/H=4500	Lifting chain LH1623-109	2			
	253511010064	起升链条LH1623-121/H=5000	Lifting chain LH1623-121	2			
	256044014001	起升链条LH1623-133/H=5500	Lifting chain LH1623-131	2			
	256044014002	起升链条LH1623-143/H=6000	Lifting chain LH1623-141	2			
	256544515004	起升链条LH1634-59/H=2000	Lifting chain LH1634-59	2		3.5t	
256544515007	起升链条LH1634-69/H=2500	Lifting chain LH1634-69	2				
256544014017	起升链条LH1634-79/H=3000	Lifting chain LH1634-79	2				
256544014013	起升链条LH1634-85/H=3300	Lifting chain LH1634-85	2				
C	256543515005	起升链条LH1634-89/H=3500	Lifting chain LH1634-89	2			

51

256898501042 单附加管路(标准门架)SINGLE ADDITIONAL TUBE(stand mast)						
序号/NO	编码/SN	名称	Name	数量/QTY	备注/Remark	
1	910100100056	螺栓GB5782-M12x90-8.8	Bolt GB5782-M12x90-8.8	1		
2	910400500008	弹簧垫圈GB93-12	Washer GB93-12	1		
3	910400100008	平垫圈GB97.1-12-200HV	Washer GB97.1-12-200HV	1		
4	255030520022	衬套Φ22xΦ13x56	Bush Φ22xΦ13x56	1		
5	255030520021	滑轮Φ110x27(单槽)	Pulley Φ110x27	2		
6	910200200059	螺钉GB70.1-M8x30-8.8	Screw GB70.1-M8x30-8.8	2		
7	910400500006	弹簧垫圈GB93-8	Washer GB93-8	6		
8	255028520034	胶管固定块	Rubber pipe lump	2		
9	255028520035	管夹安装板	Pipe press fixedly plank	2		
10	255029020022	液压管总成(90°)10-L3050-1SC-60°	Hydraulic hose assembly (90°) 10-L3050-1SC-60°	2	H=2000	
10	254127520004	液压管总成(90°)10-L3500-1SC-60°	Hydraulic hose assembly (90°) 10-L3500-1SC-60°	2	H=2500	
10	263028520035	液压管总成(90°)10-L4150-1SC-60°	Hydraulic hose assembly (90°) 10-L4150-1SC-60°	2	H=3000	
10	253528520029	液压管总成(90°)10-L4350-1SC-60°	Hydraulic hose assembly (90°) 10-L4350-1SC-60°	2	H=3300	
10	255027520001	液压管总成(90°)10-L4500-1SC-60°	Hydraulic hose assembly (90°) 10-L4500-1SC-60°	2	H=3500	
10	253530520006	液压管总成(90°)10-L4700-1SC-60°	Hydraulic hose assembly (90°) 10-L4700-1SC-60°	2	H=3700	
10	253528520033	液压管总成(90°)10-L5150-1SC-60°	Hydraulic hose assembly (90°) 10-L5150-1SC-60°	2	H=4000	
10	256027520001	液压管总成(90°)10-L5450-1SC-60°	Hydraulic hose assembly (90°) 10-L5450-1SC-60°	2	H=4300	
10	252027520025	液压管总成(90°)10-L5600-1SC-60°	Hydraulic hose assembly (90°) 10-L5600-1SC-60°	2	H=4500	
10	256027520002	液压管总成(90°)10-L6250-1SC-60°	Hydraulic hose assembly (90°) 10-L6250-1SC-60°	2	H=5000	
10	256027520003	液压管总成(90°)10-L6750-1SC-60°	Hydraulic hose assembly (90°) 10-L6750-1SC-60°	2	H=5500	
10	256027520004	液压管总成(90°)10-L7250-1SC-60°	Hydraulic hose assembly (90°) 10-L7250-1SC-60°	2	H=6000	
11	255029020024	接头(锁定弯)8-2xM16x1.5-60°	Joint 8-2XM16x1.5-60°	2		
12	254127520001	安装板	fixedly plank	1		
13	910400100006	平垫圈GB97.1-8-200HV	Washer GB97.1-8-200HV	2		
14	910800100042	O形圈-外13.6x2.4	Oring 13.6x2.4	2		
15	255042520101	液压管总成(90°)10-L500-1SC-60°-0°	Hydraulic hose assembly (90°)10-L500-1SC-60°-0°	2		
16	256042510004	外置侧移器1100(LH)	Sideshifters(LH)	1		
16	253542510001	外置侧移器1100(LD)	Sideshifters(LD)	1		
16	256042510002	侧移器总成(卡斯卡特)	Sideshifters(CASCADE)	1		



256898501043 双附加管路(标准门架)DOUBLE ADDITIONAL TUBE(stand mast)						
序号/NO	编码/SN	名称	Name	数量/QTY	备注/Remark	
1	910400200005	大垫圈GB96.1-12-200HV	Big Washer GB96.1-12-200HV	4		
2	255030520022	衬套Φ22xΦ13x56	Bush Φ22xΦ13x56	1		
3	910400100008	平垫圈GB97.1-12-200HV	washer GB97.1-12-200HV	2		
4	910400500008	弹簧垫圈GB93-12	Spring washer GB93-12	12		
5	910100100056	螺栓GB5782-M12x90-8.8	Bolt GB5782-M12x90-8.8	2		
6	255030520021	滑轮Φ110x27(单槽)	Pulley Φ110x27	4		
7	255029020022	液压管总成(90°)10-L3050-1SC-60°	Hydraulic hose assembly (90°) 10-L3050-1SC-60°	2	H=2000	
7	254127520004	液压管总成(90°)10-L3500-1SC-60°	Hydraulic hose assembly (90°) 10-L3500-1SC-60°	2	H=2500	
7	263028520035	液压管总成(90°)10-L4150-1SC-60°	Hydraulic hose assembly (90°) 10-L4150-1SC-60°	2	H=3000	
7	253528520029	液压管总成(90°)10-L4350-1SC-60°	Hydraulic hose assembly (90°) 10-L4350-1SC-60°	2	H=3300	
7	255027520001	液压管总成(90°)10-L4500-1SC-60°	Hydraulic hose assembly (90°) 10-L4500-1SC-60°	2	H=3500	
7	253530520006	液压管总成(90°)10-L4700-1SC-60°	Hydraulic hose assembly (90°) 10-L4700-1SC-60°	2	H=3700	
7	253528520033	液压管总成(90°)10-L5150-1SC-60°	Hydraulic hose assembly (90°) 10-L5150-1SC-60°	2	H=4000	
7	256027520001	液压管总成(90°)10-L5450-1SC-60°	Hydraulic hose assembly (90°) 10-L5450-1SC-60°	2	H=4300	
7	252027520025	液压管总成(90°)10-L5600-1SC-60°	Hydraulic hose assembly (90°) 10-L5600-1SC-60°	2	H=4500	
7	256027520002	液压管总成(90°)10-L6250-1SC-60°	Hydraulic hose assembly (90°) 10-L6250-1SC-60°	2	H=5000	
7	256027520003	液压管总成(90°)10-L6750-1SC-60°	Hydraulic hose assembly (90°) 10-L6750-1SC-60°	2	H=5500	
7	256027520004	液压管总成(90°)10-L7250-1SC-60°	Hydraulic hose assembly (90°) 10-L7250-1SC-60°	2	H=6000	
8	255029020024	接头(锁定弯)8-2xM16x1.5-60°	Joint 8-2XM16x1.5-60°	4		
9	254127520001	安装板	Plate	2		
10	910400500006	弹簧垫圈GB93-8	Spring washer GB93-8	12		
11	910200200055	螺钉GB70.1-M8x16-8.8	Screw GB70.1-M8x16-8.8	8		
12	910400100006	平垫圈GB97.1-8-200HV	Washer GB97.1-8-200HV	4		
13	256028020001	液压管总成(直)10-L3400-1SC-60°	Hydraulic hose assembly 10-L3400-1SC-60°	2	H=2000	
13	254131020010	液压管总成(直)10-L3850-1SC-60°	Hydraulic hose assembly 10-L3850-1SC-60°	2	H=2500	
13	281227511004	液压管总成(直)10-L4500-1SC-60°	Hydraulic hose assembly 10-L4500-1SC-60°	2	H=3000	
13	275227511002	液压管总成(直)10-L4700-1SC-60°	Hydraulic hose assembly 10-L4700-1SC-60°	2	H=3300	
13	256028020004	液压管总成(直)10-L4850-1SC-60°	Hydraulic hose assembly 10-L4850-1SC-60°	2	H=3500	
13	256028020005	液压管总成(直)10-L5050-1SC-60°	Hydraulic hose assembly 10-L5050-1SC-60°	2	H=3600/3700	
13	281227511007	液压管总成(直)10-L5500-1SC-60°	Hydraulic hose assembly 10-L5500-1SC-60°	2	H=4000	
13	256028020007	液压管总成(直)10-L5800-1SC-60°	Hydraulic hose assembly 10-L5800-1SC-60°	2	H=4300	



256898501047 起升油缸(三级全自由门架)LIFTING CYLINDER (three stage full free)						
序号/NO	编码/SN	名称	Name	数量/QTY	备注/Remark	
1	910100300023	螺栓GB5783-M8x25-8.8	Bolt GB5783-M8x25-8.8	4		
2	910400500007	弹簧垫圈GB93-10	Washer GB93-10	4		
3	910400100007	平垫圈GB97.1-10-200HV	Washer GB97.1-10-200HV	4		
4	255044520099	橡胶垫	Rubber pad	2		
5	255044520097	支撑块	Support block	2		
6	255044520098	弯板	Blendboard	2		
7	256144516001	油缸(L)(H=3600)	Cylinder (L)Φ56xΦ45x1174(H=3600)	1	2.8-3.5t	
	256144516002	油缸(L)(H=4000)	Cylinder (L)Φ56xΦ45x1312(H=4000)	1		
	256144516003	油缸(L)(H=4300)	Cylinder (L)Φ56xΦ45x1424(H=4300)	1		
	256144516004	油缸(L)(H=4500)	Cylinder (L)Φ56xΦ45x1474(H=4500)	1		
	256144516005	油缸(L)(H=4700)	Cylinder (L)Φ56xΦ45x1539(H=4700)	1		
	256144516006	油缸(L)(H=4800)	Cylinder (L)Φ56xΦ45x1574(H=4800)	1		
	256144516007	油缸(L)(H=5000)	Cylinder (L)Φ56xΦ45x1617(H=5000)	1		
	256144516008	油缸(L)(H=5400)	Cylinder (L)Φ56xΦ45x1717(H=5400)	1		
	256144516009	油缸(L)(H=5500)	Cylinder (L)Φ56xΦ45x1751(H=5500)	1		
	256144516010	油缸(L)(H=6000)	Cylinder (L)Φ56xΦ45x1884(H=6000)	1		
	256144516011	油缸(L)(H=6500)	Cylinder (L)Φ56xΦ45x2017(H=6500)	1		
7	255044510104	油缸(L)Φ50xΦ40x1174	Cylinder (L)Φ50xΦ40x1174(H=3600)	1	2.5t	
	255044510004	油缸(L)Φ50xΦ40x1312	Cylinder (L)Φ50xΦ40x1312(H=4000)	1		
	255044510005	油缸(L)Φ50xΦ40x1424	Cylinder (L)Φ50xΦ40x1424(H=4300)	1		
	255044510006	油缸(L)Φ50xΦ40x1474	Cylinder (L)Φ50xΦ40x1474(H=4500)	1		
	255044510105	油缸(L)Φ50xΦ40x1539	Cylinder (L)Φ50xΦ40x1539(H=4700)	1		
	255044510007	油缸(L)Φ50xΦ40x1574	Cylinder (L)Φ50xΦ40x1574(H=4800)	1		
	255044510008	油缸(L)Φ50xΦ40x1617	Cylinder (L)Φ50xΦ40x1617(H=5000)	1		
	255044510106	油缸(L)Φ50xΦ40x1717	Cylinder (L)Φ50xΦ40x1717(H=5400)	1		
	255044510009	油缸(L)Φ50xΦ40x1751	Cylinder (L)Φ50xΦ40x1751(H=5500)	1		
	255044510010	油缸(L)Φ50xΦ40x1884	Cylinder (L)Φ50xΦ40x1884(H=6000)	1		
	255044510107	油缸(L)Φ50xΦ40x2017	Cylinder (L)Φ50xΦ40x2017(H=6500)	1		
8	910300100007	螺钉M10x35-8.8	Screw M10x35-8.8	2		
9	941100100003	螺母GB6170-M10-10	Nut GB6170-M10-10	2		
10	910400100008	平垫圈GB97.1-12-200HV	Washer GB97.1-12-200HV	2		

64

256898501047 起升油缸(三级全自由门架)LIFTING CYLINDER (three stage full free)						
序号/NO	编码/SN	名称	Name	数量/QTY	备注/Remark	
11	910400500008	弹簧垫圈GB93-12	Washer GB93-12	4		
12	910100400009	螺栓GB5786-M12x1.25x25-8.8	Bolt GB5786-M12x1.25x25-8.8	2		
13	255044020156	链条螺栓M18x1.5x102	Joint	2		
14	256144517001	油缸(R)(H=3600)	CyRinder (R)Φ56xΦ45x1174(H=3600)	1	2.8-3.5t	
	256144517002	油缸(R)(H=4000)	CyRinder (R)Φ56xΦ45x1312(H=4000)	1		
	256144517003	油缸(R)(H=4300)	CyRinder (R)Φ56xΦ45x1424(H=4300)	1		
	256144517004	油缸(R)(H=4500)	CyRinder (R)Φ56xΦ45x1474(H=4500)	1		
	256144517005	油缸(R)(H=4700)	CyRinder (R)Φ56xΦ45x1539(H=4700)	1		
	256144517006	油缸(R)(H=4800)	CyRinder (R)Φ56xΦ45x1574(H=4800)	1		
	256144517007	油缸(R)(H=5000)	CyRinder (R)Φ56xΦ45x1617(H=5000)	1		
	256144517008	油缸(R)(H=5400)	CyRinder (R)Φ56xΦ45x1717(H=5400)	1		
	256144517009	油缸(R)(H=5500)	CyRinder (R)Φ56xΦ45x1751(H=5500)	1		
	256144517010	油缸(R)(H=6000)	CyRinder (R)Φ56xΦ46x1884(H=6000)	1		
	256144517011	油缸(R)(H=6500)	CyRinder (R)Φ56xΦ45x2017(H=6500)	1		
14	255044510108	油缸(R)(H=3600)	CyRinder (R)Φ50xΦ40x1174(H=3600)	1	2.5t	
	255044510011	油缸(R)(H=4000)	CyRinder (R)Φ50xΦ40x1312(H=4000)	1		
	255044510012	油缸(R)(H=4300)	CyRinder (R)Φ50xΦ40x1424(H=4300)	1		
	255044510013	油缸(R)(H=4500)	CyRinder (R)Φ50xΦ40x1474(H=4500)	1		
	255044510109	油缸(R)(H=4700)	CyRinder (R)Φ50xΦ40x1539(H=4700)	1		
	255044510014	油缸(R)(H=4800)	CyRinder (R)Φ50xΦ40x1574(H=4800)	1		
	255044510015	油缸(R)(H=5000)	CyRinder (R)Φ50xΦ40x1617(H=5000)	1		
	255044510110	油缸(R)(H=5400)	CyRinder (R)Φ50xΦ40x1717(H=5400)	1		
	255044510016	油缸(R)(H=5500)	CyRinder (R)Φ50xΦ40x1751(H=5500)	1		
	255044510017	油缸(R)(H=6000)	CyRinder (R)Φ50xΦ40x1884(H=6000)	1		
	255044510111	油缸(R)(H=6500)	CyRinder (R)Φ50xΦ40x2017(H=6500)	1		
15	910100300053	螺栓GB5783-M12x45-8.8	Bolt GB5783-M12x45-8.8	2		
16	910401300020	轴用弹性挡圈GB894.1-40	Circlip GB894.1-40	2		
17	940200500001	链轮轴承780708K-Φ100XΦ40X27	Chain wheel bearing780708K-Φ100XΦ40X27	2		
18	910900400014	LH1623板式链	LH1623chain	2	不单独提供	
19	910600600022	开口销2.5x40	Split pin 2.5x40	2		
20	255044020157	链条螺栓M18x1.5x117	Joint	2		

65

256898501047起升油缸(三级全自由门架)/LIFTING CYLINDER (three stage full free)						
序号/NO	编码/SN	名称	Name	数量/QTY	备注/Remark	
21	910600600030	开口销GB91-3.2x30	Split pin 3.2x30	2		
22	255044020158	球面螺母M18x1.5	Nut M18x1.5	2		
23	910300400007	螺母GB6173-M18x1.5-05	Nut M18x1.5-05	2		
24	▲	活塞杆	Piston rod	1	不单独提供	
25	▲	调整套40.5x49xL2	Adjusting bushing 40.5x49xL2	1	不单独提供	
26	▲	钢丝挡圈φ24x2	Circlip φ24x2	1	不单独提供	
27	▲	支承56x20x2.5	Bearing 56x20x2.5	1	不单独提供	
28	▲	挡片56x44x3	Catch 56x44x3	1	不单独提供	
29	▲	孔用密封圈	Seal ring 56x45x6	1	不单独提供	
30	▲	活塞	Piston	1	不单独提供	
31	▲	铜套	Copper bushing	1	不单独提供	
32	▲	钢丝挡圈φ26.5x2	Circlip φ26.5x2	1	不单独提供	
33	▲	缓冲环	Buffer ring	1	不单独提供	
34	▲	防尘圈	Dust ring DKB45x58x7/10	1	不单独提供	
35	▲	轴用密封圈	Seal ring 40x50x6	1	不单独提供	
36	▲	导向套	Guide bushing	1	不单独提供	
37	▲	O型密封圈	O seal ring 49.7x2.4	1	不单独提供	
38	▲	钢背轴承4030	Bearing 4030	1	不单独提供	
39	▲	缸体	Cylinder	1	不单独提供	
40	▲	圆柱销D10x26	Dowel pin D10x26	1	不单独提供	
B	256198510003	密封件修理包(三级全自由起升缸)-2.8-3	Seal kits(three stage full free lifting cylinder)	2	包含/Inc 27.29.34.35.37	
B	255098510003	密封件修理包(三级全自由起升缸)-2.5t	Seal kits(three stage full free lifting cylinder)	2	包含/Inc 27.29.34.35.37	
C	256844014002	起升链条LH1623-65	Lifting chainLH1623-65	2	H=3600	
	255044510046	起升链条LH1623-69	Lifting chainLH1623-69	2	H=4000	
	255044510138	起升链条LH1623-73	Lifting chainLH1623-73	2	H=4350	
	255044510047	起升链条LH1623-75	Lifting chainLH1623-75	2	H=4500	
	255043510139	起升链条LH1623-79	Lifting chainLH1623-79	2	H=4700/4800	
	255044510140	起升链条LH1623-85	Lifting chainLH1623-85	2	H=5000	
	255044510048	起升链条LH1623-95	Lifting chainLH1623-95	2	H=5400/5500	
	255044510049	起升链条LH1623-103	Lifting chainLH1623-103	2	H=6000	
	255044510125	起升链条LH1623-113	Lifting chainLH1623-113	2	H=6500	

66

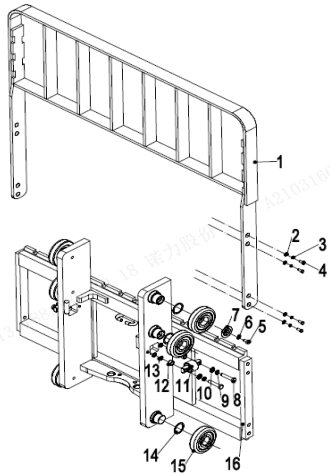
256898501048 起升管路(三级全自由门架)/LIFTING CYLINDER (three stage full free)						
序号/NO	编码/SN	名称	Name	数量/QTY	备注/Remark	
1	910100100048	螺栓GB5782-M12x50-8.8	Bolt GB5782-M12x50-8.8	1		
2	910400500008	弹簧垫圈GB93-12	Spring washer gb93-12	1		
3	910400100008	平垫圈GB97.1-12-200HV	Flat washer GB97.1-12-200HV	1		
4	255044520096	滑轮Φ120x36(单槽)	Pulley Φ120x36 (single slot)	1		
5	255044520081	衬套(带肩)Φ20xΦ13x28	Bushings (shoulder)Φ20xΦ13x28	1		
6	255044520084	液压管总成(直)15-L1910-2SC-60	Hydraulic hose assembly 15-L1910-2SC-60	1	H=3600	
6	255044520071	液压管总成(直)15-L2180-2SC-60°	Hydraulic hose assembly 15-L2180-2SC-60°	1	H=4000	
6	255044520072	液压管总成(直)15-L2430-2SC-60°	Hydraulic hose assembly 15-L2430-2SC-60°	1	H=4350	
6	255044520073	液压管总成(直)15-L2530-2SC-60°	Hydraulic hose assembly 15-L2530-2SC-60°	1	H=4500	
6	255044520074	液压管总成(直)15-L2730-2SC-60°	Hydraulic hose assembly 15-L2730-2SC-60°	1	H=4700/4800	
6	255044520075	液压管总成(直)15-L3015-2SC-60°	Hydraulic hose assembly 15-L3015-2SC-60°	1	H=5000	
6	255044520076	液压管总成(直)15-L3480-2SC-60°	Hydraulic hose assembly 15-L3480-2SC-60°	1	H=5400/5500	
6	255044520077	液压管总成(直)15-L3950-2SC-60°	Hydraulic hose assembly 15-L3950-2SC-60°	1	H=6000	
6	255044520124	液压管总成(直)15-L4410-2SC-60°	Hydraulic hose assembly 15-L4410-2SC-60°	1	H=6500	
7	900200301004	PE软管Φ10xΦ13	PE Supple pipeΦ10xΦ13	3		
8	910100300022	螺栓GB5783-M8x20-8.8	Bolt GB5783-M8x20-8.8	3		
9	910400500006	弹簧垫圈GB93-8	Spring washer GB93-8	5		
10	910400100006	平垫圈GB97.1-8-200HV	Flat washer GB97.1-8-200HV	5		
11	255044510020	液压钢管焊合1	Hydraulic pipe welding 1	1		
12	255044520083	液压管总成(直)15-L530-2SC-60°	Hydraulic hose assembly 15-L530-2SC-60°	1		
13	255044020151	接头(锁定弯)12-2xM22x1.5-60°	Connector (lock bend) 12-2xM22x1.5-60°	1		
14	252144519002	三通焊合(20Q)	Tee welded (20Q)	1		
15	910800100040	O形圈-外24x2.4	O - inner 24x2.4	4		
16	950700300002	限速阀XSF-F16L-48	The speed limit valve XSF-F16L-48	1		
17	252144529003	液压管总成(直)15-L800-2SC-60°	Hydraulic hose assembly 15-L800-2SC-60°	1		
18	255044510021	液压钢管焊合2	Hydraulic pipe welding 2	1		
19	255043520022	接头(锁定弯)12-M27x2-M22x1.5	Connector (lock bend) 12-M27x2-M22x1.5	1		
20	256898520001	防爆阀	explosion-proof valve	1		
21	255044520067	液压管总成(直)15-L360-2SC-60°	Hydraulic hose assembly 15-L360-2SC-60°	1		
22	255044010040	接头(三通)	Connector (tee)	1		
23	254144520048	液压管总成(90°)15-L800-2SC-60°	Hydraulic hose assembly (90°)15-L800-2SC-60°	1		

67

256898501051 双附加管路(三级全自由)/DOUBLE ADDITIONAL TUBE(three stage full free)						
序号/NO	编码/SN	名称	Name	数量/QTY	备注/Remark	
16	910300500006	螺母GB899.1-M12-10	Nut GB899.1-M12-10	1		
17	910400100008	平垫圈GB97.1-12-200HV	Washer GB97.1-12-200HV	1		
18	255030520022	衬套Φ20xΦ13x56	BushΦ20xΦ13x56	1		
19	910100100058	螺栓GB5782-M12x100-8.8	Bolt GB5782-M12x100-8.8	1		
20	910400200005	大垫圈GB96.1-12-200HV	Washer GB96.1-12-200HV	2		
21	910100100056	螺栓GB5782-M12x90-8.8	Bolt GB5782-M12x90-8.8	1		
22	275230529021	液压管总成(直)10-L1600-1SC-60°	Hydraulic hose assembly 10-L1600-1SC-60°	2	H=3600	
22	255030520024	液压管总成(直)10-L1720-1SC-60°	Hydraulic hose assembly 10-L1720-1SC-60°	2	H=4000	
22	254130520005	液压管总成(直)10-L1890-1SC-60°	Hydraulic hose assembly 10-L1890-1SC-60°	2	H=4350/4500	
22	255031020705	液压管总成(直)10-L1980-1SC-60°	Hydraulic hose assembly 10-L1980-1SC-60°	2	H=4800/4700	
22	255028520044	液压管总成(直)10-L2150-1SC-60°	Hydraulic hose assembly 10-L2150-1SC-60°	2	H=5000	
22	254128520031	液压管总成(直)10-L2350-1SC-60°	Hydraulic hose assembly 10-L2350-1SC-60°	2	H=5400/5500	
22	255031020016	液压管总成(直)10-L2550-1SC-60°	Hydraulic hose assembly 10-L2550-1SC-60°	2	J=6000	
22	255031020703	液压管总成(直)10-L2780-1SC-60°	Hydraulic hose assembly 10-L2780-1SC-60°	2	H=6500	
23	255029020024	接头(固定弯)8-2XM16x1.5-60°	Joint 8-2XM16x1.5-60°	4		
24	255031020006	液压钢管焊接	Hydraulic steel pipe welding	1		
25	255031020008	液压管总成(135°)10-L1000-1SC-60°	Hydraulic hose assembly (135°)10-L1000-1SC-60°	2		
26	255028510022	过渡钢管	Excessive pipe welding	1		
27	254130520007	液压管总成(直)10-L2140-1SC-60°	Hydraulic hose assembly 10-L2140-1SC-60°	2	H=3600	
27	255030520003	液压管总成(直)10-L2410-1SC-60°	Hydraulic hose assembly 10-L2410-1SC-60°	2	H=4000	
27	254128520052	液压管总成(直)10-L2650-1SC-60°	Hydraulic hose assembly 10-L2650-1SC-60°	2	H=4350	
27	254131020006	液压管总成(直)10-L2750-1SC-60°	Hydraulic hose assembly 10-L2750-1SC-60°	2	H=4500	
27	254131020007	液压管总成(直)10-L2950-1SC-60°	Hydraulic hose assembly 10-L2950-1SC-60°	2	H=4700/4800	
27	254128520039	液压管总成(直)10-L3250-1SC-60°	Hydraulic hose assembly 10-L3250-1SC-60°	2	H=5000	
27	275344529012	液压管总成(直)10-L3350-1SC-60°	Hydraulic hose assembly 10-L3350-1SC-60°	2	H=5400/5500	
27	255031020017	液压管总成(直)10-L3720-1SC-60°	Hydraulic hose assembly 10-L3720-1SC-60°	2	H=6000	
27	252127521001	液压管总成(直)10-L4150-1SC-60°	Hydraulic hose assembly 10-L4150-1SC-60°	1	H=6500	
28	255031020004	带耳轴Φ20x70	Axle Φ20x70	1		
29	255031020007	滑轮Φ90x22(单槽)	Pulley Φ90x22	2		
30	255031010001	滑轮支架焊接1	Pulley support welded 1	1	H>5400	
30	255031010002	滑轮支架焊接2	Pulley support welded 2	1	H<=5400	

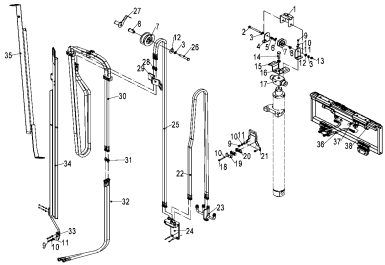
256898501051 门架(两级全自由门架)/MAST(two stage full free)						
序号/NO	编码/SN	名称	Name	数量/QTY	备注/Remark	
1	910100300039	螺栓GB5783-M10x40-8.8	Bolt GB5783-M10x40-8.8	4		
2	910400500007	弹簧垫圈GB93-10	Washer GB93-10	8		
3	910400100007	平垫圈GB97.1-10-200HV	Washer GB97.1-10-200HV	4		
4	255038020009	调整垫	Adjustable pad	8		
5	255038020008	调整套	Adjusting sleeve	4		
6	940200200005	侧滚轮Φ42-CD=68	Side rollerΦ42 - CD = 68	2		
7	910401300024	轴用弹性挡圈	Elastic retaining ring for shaft	4		
8	940200100021	主滚轮Φ119.6xΦ55x34	Roller Φ119.6xΦ55x34	2	选配	
8	940200100022	主滚轮Φ120xΦ55x34	Roller Φ120xΦ55x34	2	选配	
9	256843512001	内门架焊接 2000	Inner mast(2000)	1	2.8-3.5t	
9	256843512002	内门架焊接 2500	Inner mast 2500	1	2.8-3.5t	
9	256843512003	内门架焊接 3000	Inner mast 3000	1	2.8-3.5t	
9	256843512004	内门架焊接 3300	Inner mast 3300	1	2.8-3.5t	
9	256843512005	内门架焊接 3500	Inner mast 3500	1	2.8-3.5t	
9	256843512006	内门架焊接 3600	Inner mast 3600	1	2.8-3.5t	
9	256843512007	内门架焊接 3700	Inner mast 3700	1	2.8-3.5t	
9	256843512008	内门架焊接 4000	Inner mast 4000	1	2.8-3.5t	
9	256843512009	内门架焊接 4300	Inner mast 4300	1	2.8-3.5t	
9	256843512010	内门架焊接 4500	Inner mast 4500	1	2.8-3.5t	
9	256843512011	内门架焊接 5000	Inner mast 5000	1	2.8-3.5t	
9	256843512012	内门架焊接 5500	Inner mast 5500	1	2.8-3.5t	
9	256843512013	内门架焊接 6000	Inner mast 6000	1	2.8-3.5t	
9	255043510027	内门架焊接 2000	Inner mast(2000)	1	2.5t	
9	255043510028	内门架焊接 2500	Inner mast 2500	1	2.5t	
9	255043510029	内门架焊接 3000	Inner mast 3000	1	2.5t	
9	255043510030	内门架焊接 3300	Inner mast 3300	1	2.5t	
9	255043510031	内门架焊接 3500	Inner mast 3500	1	2.5t	
9	255043510032	内门架焊接 3600	Inner mast 3600	1	2.5t	
9	255043510033	内门架焊接 3700	Inner mast 3700	1	2.5t	
9	255043510034	内门架焊接 4000	Inner mast 4000	1	2.5t	
9	255043510035	内门架焊接 4300	Inner mast 4300	1	2.5t	

253698501043 货叉架 (四级门架) / Fork carrier (four stage full free lift)



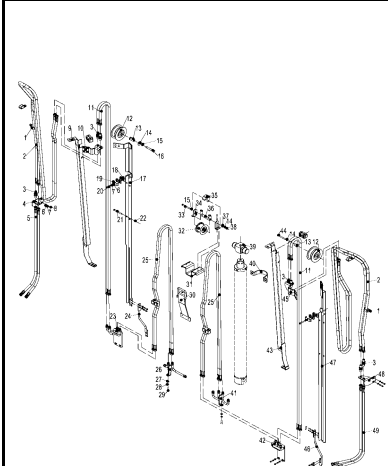
序号/NO	编码/SN	Name	名称	数量/QTY	备注/Remarks
1	253740510001	Load backrest welding (1100x108)	挡货架焊合1100x1080	1	
2	910400100009	Washer GB97.1-14-200HV	平垫圈GB97.1-14-200HV	8	
3	910400500009	Washer GB93-14	弹簧垫圈GB93-14	8	
4	910100300062	Bolt GB5783-M14x30-8.8	螺栓GB5783-M14x30-8.8	8	
5	910100300020	Bolt GB5783-M8x16-8.8	螺栓GB5783-M8x16-8.8	2	
6	910400500006	Spring Washer GB93-8	弹簧垫圈GB93-8	2	
7	253638020301	Roller cover	滚轮压盖	2	
8	910100300041	Bolt GB5783-M10x50-8.8	螺栓GB5783-M10x50-8.8	4	
9	910400500007	Washer GB93-10	弹簧垫圈GB93-10	8	
10	910400100007	Washer GB97.1-14-200HV	平垫圈GB97.1-14-200HV	8	
11	940200200005	Side roller $\Phi 42 - CD = 68$	侧滚轮 $\Phi 42 - CD = 68$	2	
12	255038020008	Adjusting sleeve	调整套	4	
13	255038020009	Adjustable pad	调整垫	12	
14	253644520020	Washer $\Phi 45x \Phi 36x0.2$	垫圈 $\Phi 45x \Phi 36x0.2$	6	
14	253644520021	Washer $\Phi 45x \Phi 36x0.5$	垫圈 $\Phi 45x \Phi 36x0.5$	6	
14	253644520015	Washer $\Phi 45x \Phi 36x1$	垫圈 $\Phi 45x \Phi 36x1$	6	
15	940200100053	Roller $\Phi 117.5x \Phi 40x28$	主滚轮 $\Phi 117.5x \Phi 40x28$	12	
15	940200100054	Roller $\Phi 117.7x \Phi 40x28$	主滚轮 $\Phi 117.7x \Phi 40x28$	12	选配
15	940200100055	Roller $\Phi 117.2x \Phi 40x28$	主滚轮 $\Phi 117.2x \Phi 40x28$	12	
16	253738014001	Assembly drawing of fork rack welding	货叉架焊合 (四级全自由门架1040)	1	32C

253698501044 侧移器及管路安装 (四级门架) / Side shifter and pipeline installation (four stage full free lift)



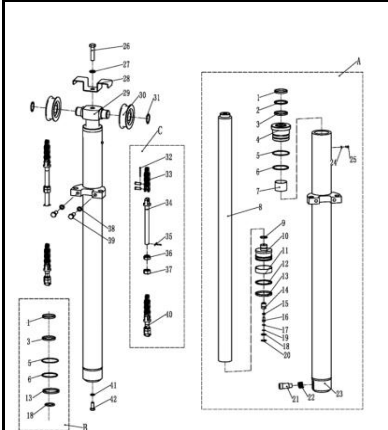
序号/NO	编码/SN	Name	名称	数量/QTY	备注/Remarks
1	253630520904	Middle cylinder rubber tube cover	中缸胶管护套	1	
2	910100100060	Bolt GB5782-M12x120-8.8	螺栓GB5782-M12x120-8.8	1	
3	910400500008	Spring washers GB93-12	弹簧垫圈GB93-12	3	
4	253630520906	Stent	支架	2	
5	254130520016	bush $\Phi 20x \Phi 13x43$	衬套 $\Phi 20x \Phi 13x43$	1	
6	910400200005	Large washers GB96.1-12-200HV	大垫圈GB96.1-12-200HV	2	
7	251127520001	Pulley $\Phi 110x42$ (double groove)	滑轮 $\Phi 110x42$ (双槽)	2	
8	255044520081	bush $\Phi 20x \Phi 13x33$	衬套 $\Phi 20x \Phi 13x33$	2	
9	910100300020	Bolt GB5783-M8x16-8.8	螺栓GB5783-M8x16-8.8	6	
10	910400500006	Spring washers GB93-8	弹簧垫圈GB93-8	6	
11	910400100006	Plain washers GB97.1-8-200HV	平垫圈GB97.1-8-200HV	6	
12	910400100008	Plain washers GB97.1-12-200HV	平垫圈GB97.1-12-200HV	3	
13	910300100008	Nuts GB6170-M12-10	螺母GB6170-M12-10	1	
14	910100200016	Bolt GB5785-M16x1.5x70-8.8	螺栓GB5785-M16x1.5x70-8.8	1	
15	910400500010	Spring washers GB93-16	弹簧垫圈GB93-16	1	
16	253645220012	Middle cylinder chain baffle	中缸链条挡板	1	
17	253645220011	Cylinder head	缸头	1	
18	910100300025	Bolt GB5783-M8x35-8.8	螺栓GB5783-M8x35-8.8	4	
19	255028520035	Pipe clamp mounting plate	管夹安装板	4	
20	255028520034	Rubber tube fixing block	胶管固定块	8	
21	253630510001	Intermediate cylinder rubber	中缸胶管过渡架	1	
22	251328520704	Hydraulic hose assembly 10-L22	液压管总成(直)10-L2220-1SC-24°	2	H=6100
22	251329020702	Hydraulic hose assembly 10-L23	液压管总成(直)10-L2360-1SC-24°	2	H=6600
22	251330520702	Hydraulic hose assembly 10-L24	液压管总成(直)10-L2510-1SC-24°	2	H=7000
23	253631120001	Single attached hose bracket	单附胶管支架(24°)	1	
24	253631110003	Joint body	接头体	1	
25	253631120101	Hydraulic hose assembly 10-L16	液压管总成(直)10-L1850-1SC-24°	2	H=6100
25	253631120102	Hydraulic hose assembly 10-L19	液压管总成(直)10-L1980-1SC-24°	2	H=6600
25	251228520702	Hydraulic hose assembly 10-L21	液压管总成(直)10-L2150-1SC-24°	2	H=7000
26	910100100054	Bolt GB5782-M12x80-8.8	螺栓GB5782-M12x80-8.8	1	
27	256844520021	Hose baffle	胶管挡板	1	

双附加管路(四级门架)/DOUBLE ADDITIONAL TUBE(four stage full free lift)



序号/NO	编码/SN	Name	名称	数量/QTY	备注/Remarks
24	253631310001	Internal guide groove (left)	内导槽(左) 连接杆	1	
25	251328520704	Hydraulic hose assembly 10-L22	液压管总成(直)10-L2220-1SC-24°	4	H=6100
25	251329020702	Hydraulic hose assembly 10-L23	液压管总成(直)10-L2360-1SC-24°	4	H=6600
25	251330520702	Hydraulic hose assembly 10-L24	液压管总成(直)10-L2510-1SC-24°	4	H=7000
26	253631310002	Double attached hose bracket	双附胶管支架(24°)	1	
27	910300100006	Nut GB6170-M8-10	螺母GB6170-M8-10	2	
28	910100300025	Bolt GB5783-M8x35-8.8	螺栓GB5783-M8x35-8.8	2	
29	910100300025	Bolt GB5783-M8x35-8.8	螺栓GB5783-M8x35-8.8	2	
30	253631310003	Intermediate cylinder rubber	中缸胶管固定架	1	
31	253645220012	Middle cylinder chain baffle	中缸链条挡板	1	
32	253631020020	Pulley Φ104x76	滑轮Φ104x76(四联)	1	
33	910100100060	Bolt GB5782-M12x120-8.8	螺栓GB5782-M12x120-8.8	1	
34	253630520906	Stent	支架	2	
35	253630520904	Middle cylinder rubber tube	中缸胶管护套	1	
36	253631020021	Bush Φ20xΦ13x73	衬套Φ20xΦ13x73	1	
37	910400100008	Flat Washer GB97.1-12-200HV	平垫圈GB97.1-12-200HV	2	
38	910300100008	Nut GB6170-M12-10	螺母GB6170-M12-10	1	
39	253645220011	Cylinder head	缸头	1	
40	253644520004	Embrace hoop	抱箍	1	
41	253631101002	Single attached hose bracket	单附胶管支架(24°)	1	
42	253631110003	Joint body	接头体	1	H=6100
42	253631110701	External guide groove welding	外导槽焊合6100	1	H=6600
42	253631110702	External guide groove welding	外导槽焊合6600	1	H=7000
43	253631110703	External guide groove welding	外导槽焊合7000	1	
44	910100100059	Bolt GB5782-M12x110-8.8	螺栓GB5782-M12x110-8.8	1	
45	253631120002	Joint Transition Plate	接头过渡板	1	
46	253631110001	Internal guide groove (right)	内导槽(右) 连接杆	1	H=6100
46	253631110704	Internal Guide Groove Welding	内导槽焊合6100	1	H=6600
46	253631110705	Internal Guide Groove Welding	内导槽焊合6600	1	H=7000
47	253631110706	Internal Guide Groove Welding	内导槽焊合7000	1	
48	253631120005	Transitional mounting plate	过渡安装板	1	
49	251230520002	Hydraulic hose assembly 10-L24	液压管总成(直)10-L1260-1SC-24°	2	

253698501045短起升油缸(四级全自由门架)/SHORT LIFTING CYLINDER (four stage full free lift)

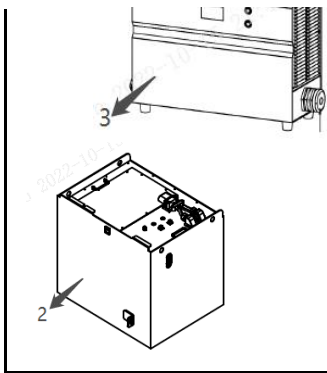


序号/NO	编码/SN	Name	名称	数量/QTY	备注/Remarks
A	253645218001	Short lifting cylinder Φ75xΦ50x830	油缸(M) Φ75xΦ50x830	1	H=6100
A	253645218002	Short lifting cylinder Φ75xΦ50x895	油缸(M) Φ75xΦ50x895	1	H=6600
A	253645218003	Short lifting cylinder Φ75xΦ50x975	油缸(M) Φ75xΦ50x975	1	H=7000
B	255098510002	Seal kits(middle cylinder)	密封件修理包(三级全自由中缸)	1	
C	255044010101	Lifting chain LH1623×77	起升链条LH1623×77	2	H=6100
C	255043510139	Lifting chain LH1623×79	起升链条LH1623×79	2	H=6600
C	255044510137	Lifting chain LH1623×81	起升链条LH1623×81	2	H=7000
1	▲	Dust ring 50x58x7/6.5	防尘圈50x58x7/6.5	1	
2	▲	Catch 50×60×3	挡片50x60x3	1	
3	▲	Seal ring 50×60×6	密封圈50x60x6	1	
4	▲	Glide sleeve	导向套	1	
5	▲	O ring D75X3.1	O型密封圈D75X3.1	1	
6	▲	O ring D75X3.1	O型密封圈D70x3.1	1	
7	▲	Bearing50x55x40	钢背轴承 50x55x40	1	
8	▲	HSG Piston rod	HSG活塞杆	1	
9	▲	Circlip	钢丝挡圈	1	
10	▲	Piston assembly	活塞总成	1	
11	▲	Support ring 75x20x2.5	支承环75x20x2.5	1	
12	▲	Support ring 75x65x3	支承环75x65x3	1	
13	▲	Seal ring 75x65x6	孔用密封圈	1	
14	▲	Valve cover	阀套	1	
15	▲	Spring	弹簧	1	
16	▲	Valve plug	阀芯	1	
17	▲	Catch	挡片	1	
18	▲	O ring D20x2.4	O型密封圈	1	
19	▲	Circlip 12	孔用弹性挡圈12	1	
20	▲	Circlip 22	孔用弹性挡圈22	1	
21	▲	Slide valve	滑阀	1	
22	▲	Spring2.3x15x48.5	弹簧2.3x15x48.5	1	
23	▲	Cylinder	缸体	1	
24	▲	Spacer	垫片	1	

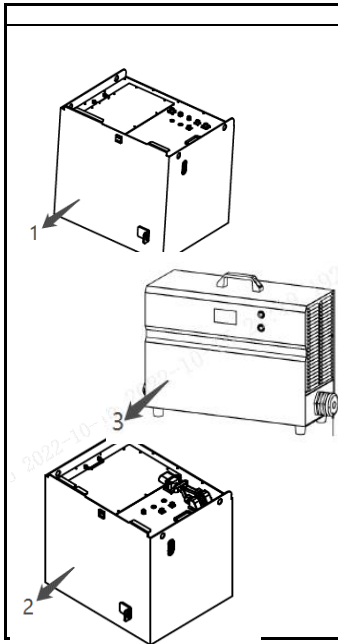
253698501045短起升油缸(四级全自由门架)/SHORT LIFTING CYLINDER (four stage full free lift)



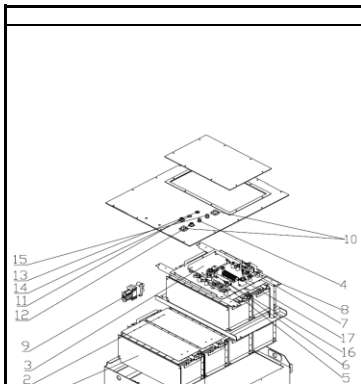
序号/NO	编码/SN	Name	名称	数量/QTY	备注/Remarks
25	▲	Screw M5x5	内六角圆柱头螺钉M5x5	1	
26	910100100071	Bolt GB5782-M16x50-8.8	螺栓GB5782-M16x50-8.8	1	



2	256737013106	Lithium battery LFP80A-300R-H-GF2	锂电池LFP80A-300R-H-GF2	1	300Ah【加热国际版】
2	256737013107	Lithium battery LFP80B-400R-H-GF2	锂电池LFP80B-400R-H-GF2	1	400Ah【加热国际版】
2	256737013108	Lithium battery LFP80A-554R-H-GF2	锂电池LFP80A-554R-H-GF2	1	554Ah【加热国际版】
2	256737013109	Lithium battery LFP80B-200AS-GF2	锂电池LFP80B-200AS-GF2	1	200Ah【安德森】
2	256737013110	Lithium battery LFP80A-300AS-GF2	锂电池LFP80A-300AS-GF2	1	300Ah【安德森】
2	256737013111	Lithium battery LFP80B-400AS-GF2	锂电池LFP80B-400AS-GF2	1	400Ah【安德森】
2	256737013112	Lithium battery LFP80A-554AS-GF2	锂电池LFP80A-554AS-GF2	1	554Ah【安德森】
2	256737013113	Lithium battery LFP80B-200AS-H-GF2	锂电池LFP80B-200AS-H-GF2	1	200Ah【加热安德森】
2	256737013114	Lithium battery LFP80A-300AS-H-GF2	锂电池LFP80A-300AS-H-GF2	1	300Ah【加热安德森】
2	256737013115	Lithium battery LFP80B-400AS-H-GF2	锂电池LFP80B-400AS-H-GF2	1	400Ah【加热安德森】
2	256737013116	Lithium battery LFP80A-554AS-H-GF2	锂电池LFP80A-554AS-H-GF2	1	554Ah【加热安德森】
3	256836513001	Li Charger HW80V65A(three phase 380V)	锂电充电器HW80V65A(三相380V)	1	配200Ah
3	256836513002	Li Charger HW80V100A(three phase 380V)	锂电充电器HW80V100A(国内三相380V)	1	配200/300Ah
3	256836513003	Li Charger HW80V150A(three phase 380V)	锂电充电器HW80V150A(国内三相380V)	1	配300/400Ah
3	256836513004	Li Charger HW80V200A(three phase 380V)	锂电充电器HW80V200A(国内三相380V)	1	配400/554Ah
3	256736512004	Li Charger ADY80V35A(110V+America)	锂电充电器ADY80V35A(110V+美标)	1	
3	256736512005	Li Charger ADY80V35A(220V+CN)	锂电充电器ADY80V35A(220V+国标)	1	



256898501062 锂电池/BATTERY					
序号/NO	编码/SN	Name	名称	数量/QTY	备注/Remark
3	256736512007	Li Charger ADY80V35A(230V+EUR)	锂电充电器ADY80V35A(230V+欧式)	1	
3	256736512008	Li Charger ADY80V35A(230V+ENG)	锂电充电器ADY80V35A(230V+英式)	1	配200Ah
3	256736512009	Li Charger ADY80V35A(240V+AUS)	锂电充电器ADY80V35A(240V+澳式)	1	
3	256836512001	Li Charger ADY80V65A(3phase 380V)	锂电充电器ADY80V65A(三相380-415V)	1	配200Ah
3	256836512002	Li Charger ADY80V65A(3phase 220V)	锂电充电器ADY80V65A(三相220-240V)	1	配200Ah
3	256836512003	Li Charger ADY80V65A(3phase 480V)	锂电充电器ADY80V65A(三相480-520V)	1	配200Ah
3	256836512013	Li Charger ADY80V65A(3phase 380V)	锂电充电器ADY80V65A(国内三相380V)	1	配200Ah
3	256836512004	Li Charger ADY80V100A(3phase 380V)	锂电充电器ADY80V100A(三相380-415V)	1	配200/300Ah
3	256836512005	Li Charger ADY80V100A(3phase 220V)	锂电充电器ADY80V100A(三相220-240V)	1	配200/300Ah
3	256836512006	Li Charger ADY80V100A(3phase 480V)	锂电充电器ADY80V100A(三相480-520V)	1	配200/300Ah
3	256836512014	Li Charger ADY80V100A(3phase 380V)	锂电充电器ADY80V100A(国内三相380V)	1	配200/300Ah
3	256836512007	Li Charger ADY80V150A(3phase 380V)	锂电充电器ADY80V150A(三相380-415V)	1	配300/400Ah
3	256836512008	Li Charger ADY80V150A(3phase 220V)	锂电充电器ADY80V150A(三相220-240V)	1	配300/400Ah
3	256836512009	Li Charger ADY80V150A(3phase 480V)	锂电充电器ADY80V150A(三相480-520V)	1	配300/400Ah
3	256836512015	Li Charger ADY80V150A(3phase 380V)	锂电充电器ADY80V150A(国内三相380V)	1	配300/400Ah
3	256836512010	Li Charger ADY80V200A(3phase 380V)	锂电充电器ADY80V200A(三相380-415V)	1	配400/554Ah
3	256836512011	Li Charger ADY80V200A(3phase 220V)	锂电充电器ADY80V200A(三相220-240V)	1	配400/554Ah
3	256836512012	Li Charger ADY80V200A(3phase 480V)	锂电充电器ADY80V200A(三相480-520V)	1	配400/554Ah
3	256836512016	Li Charger ADY80V200A(3phase 380V)	锂电充电器ADY80V200A(国内三相380V)	1	配400/554Ah



256898501063 锂电池/BATTERY					
序号/NO	编码/SN	Name	名称	数量/QTY	备注/Remark
1	▲	Lithium battery module	电芯模组(常规款)	N	
2	▲	Lithium battery module(heating)	电芯模组(加热款)	N	
3	921200100036	BMS(24 string domestic version)	BMS模块(24串一体机国内版)	1	
	921200100037	BMS(24 string international edition)	BMS模块(24串一体机国际版)	1	
	921200100038	BMS(36string domestic version)		1	
	921200100039				
6	252198537024	Antenna	天线	1	
7	252198537025	Current divider	分流器	1	
8	256798537003	DC-DC	DCDC电源	1	
9	252198537041	Cocontactor(discharge/recharge)	继电器	2	
10	252198537028	Fuse	熔断器	1	
11	256898537001	Recharge socket	REMA充电插件总成(4PXQ)	1	
12	256798537004	The positive connection	正极接线柱	1	
13	256798537005	The cathode connection	负极接线柱	1	
14	252198537033	5 core socket	航空头5芯座	1	
15	252198537032	7 core socket	航空头7芯座	1	
16	252198537030	Buzzer	蜂鸣器	1	
17	252198537031	LED Lamp	LED金属指示灯	1	

